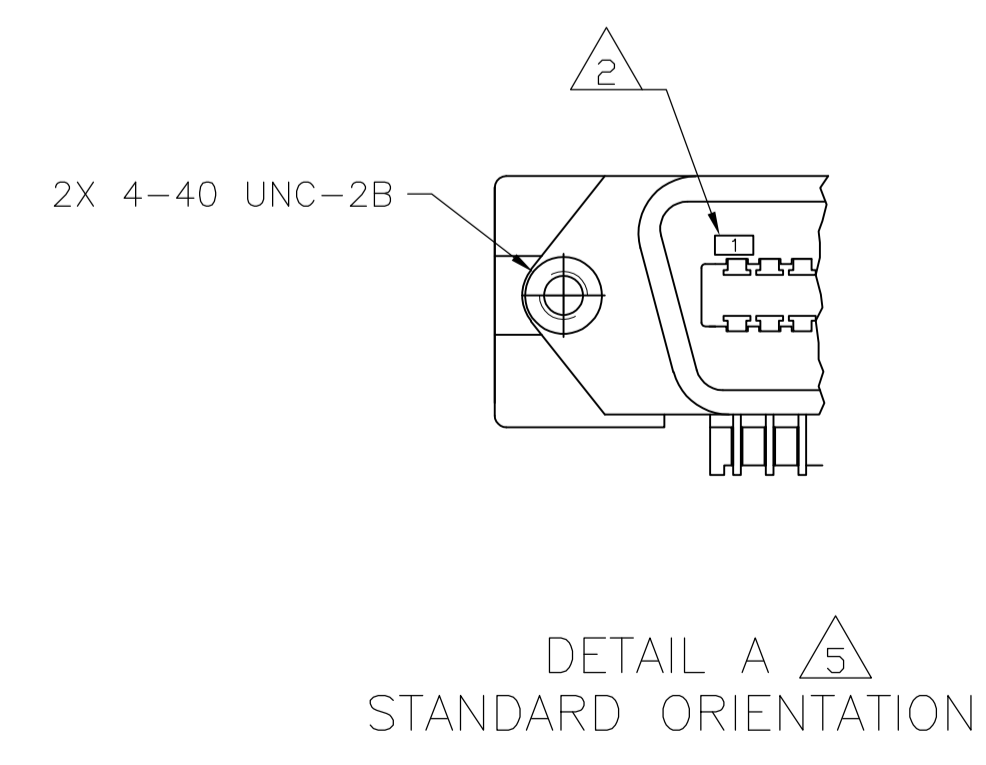
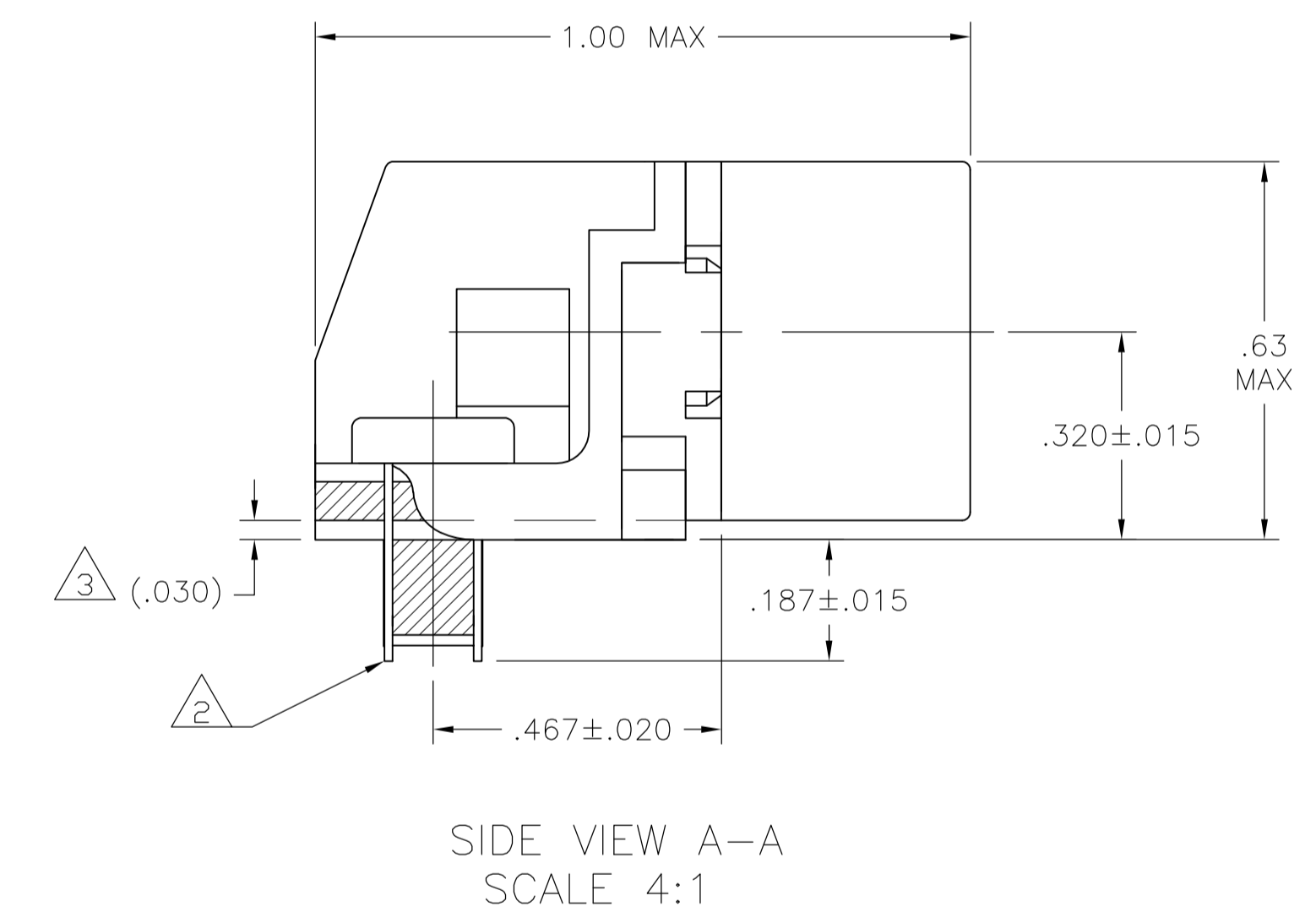
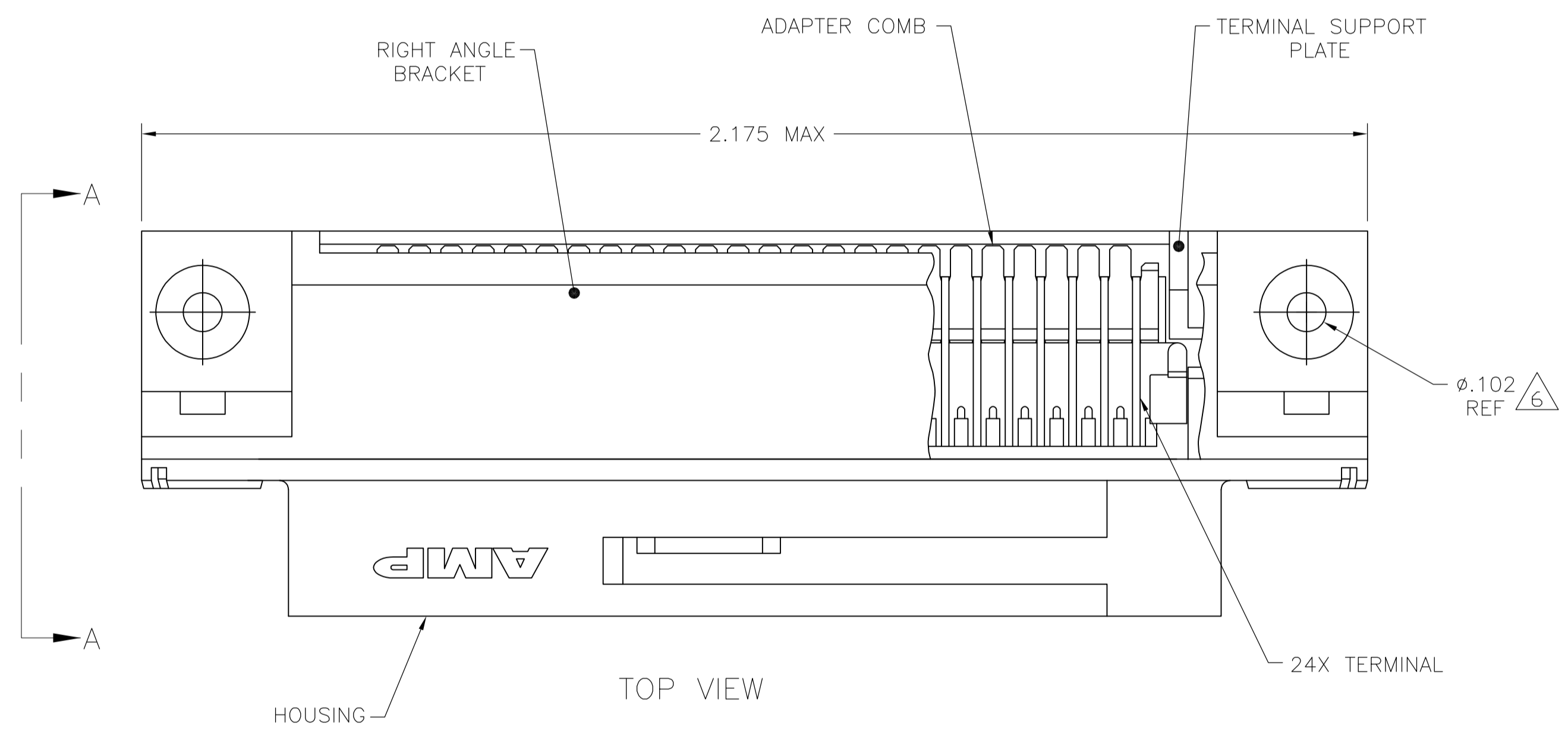


- 1 MATERIAL:  
HOUSING, BRACKET, ADAPTER COMB & PLATE - THERMOPLASTIC, BLACK, 94V-0 RATED  
TERMINALS - HIGH STRENGTH COPPER ALLOY PLATED WITH EITHER .000030 MIN GOLD PLATE OR GOLD FLASH OVER PALLADIUM NICKEL PLATE .000030 MIN TOTAL ON MATING SURFACE. .000120 MIN TIN-LEAD PLATE ON TAILS. ALL OVER .000050 MIN NICKEL UNDERPLATE OVER ENTIRE TERMINAL.
- 2 TERMINAL 1 IS LOCATED IN THIS ROW FOR 552741-1.
- 3 TERMINAL SUPPORT PLATE CLEARANCE FOR TERMINAL STRAIN RELIEF AND FLUX REMOVAL.
- 4 PANEL THICKNESS RANGE: .062 MAX.
- 5 DETAIL A IS VIEWED FROM MATING SIDE OF PLUG ASSEMBLY.
- 6 FOR USE WITH A NO. 4 BT TYPE SELF TAPPING SCREW.



OBSOLETE	552741-2
SELF-TAPPING 6	SEE DETAIL A 2
TYPE OF MOUNTING	DESCRIPTION
	PART NUMBER

THIS DRAWING IS A CONTROLLED DOCUMENT.		DIN Z REAM 2/APR/07		Tyco Electronics Corporation	
DIMENSIONS: INCHES		TOLERANCES UNLESS OTHERWISE SPECIFIED:		Tyco Electronics Corporation Harrisburg, PA 17105-3608	
0 PLC	± -	APVD W MILLIMETRES	2/APR/07	NAME	
1 PLC	± -	W MILLIMETRES		PLUG ASSEMBLY, 24 POSN, RIGHT ANGLE, PRINTED CIRCUIT BOARD (CHAMP-LOK, THRU-BOLT & SELF-TAPPING)	
2 PLC	± -	APPLICATION SPEC		SIZE	CAGE CODE DRAWING NO
3 PLC	± .005	RESTRICTED TO		A1	00779 C=552741
4 PLC	± -			WEIGHT	
ANGLES	± -			CUSTOMER DRAWING	SCALE 2:1 SHEET 1 OF 1 REV U